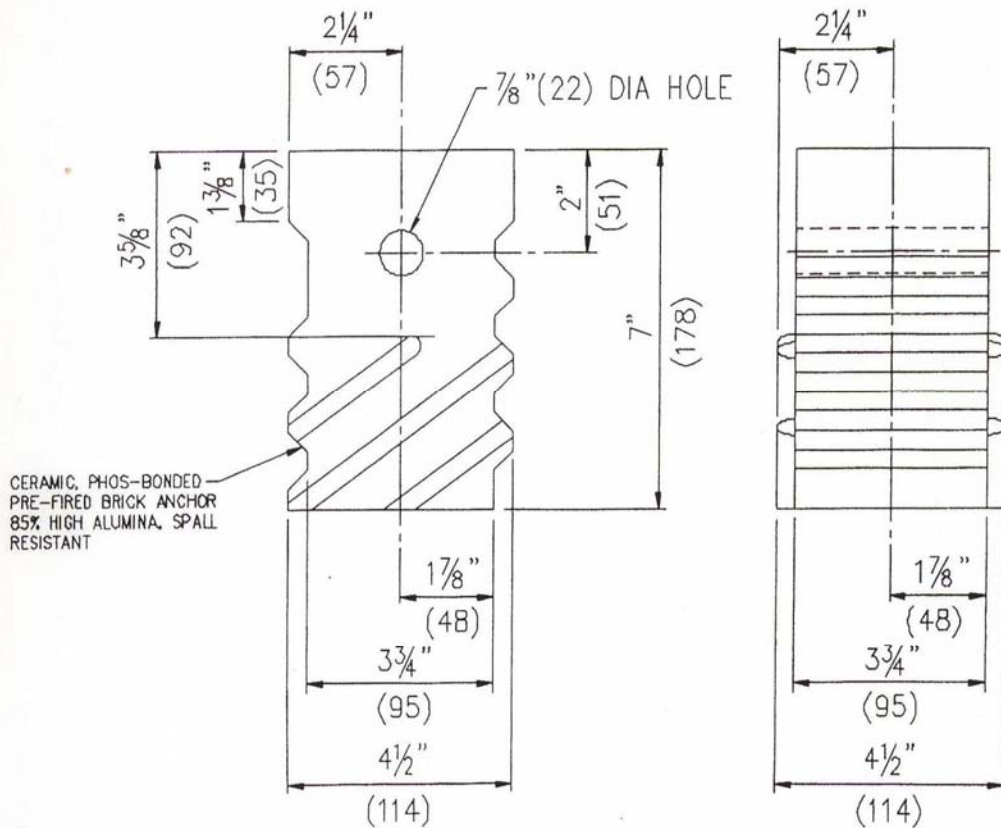




Brick Anchor --- RD-85 Series 8", 9" & 12"



DWG - RD-85H Ceramic Anchor

Rev. Number 1

Date 7/10/2008

Refractory Depot, Inc.
PO Box 26188
Collegeville, PA 19426